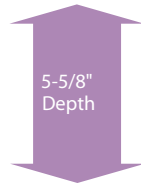


- FV-05VFL2 50 CFM 4" Duct
- FV-08VFL2 80 CFM 4" Duct
- FV-11VFL2 110 CFM 4" Duct



- Convenient night-light feature
- Low profile housing design
  - Ideal for remodeling
- Super quiet operation
- ENERGY STAR® qualified fan and light fixture

- Totally enclosed condenser motor for long life—rated for 30,000 hours continuous run
- 4" duct with 3" duct adapter included
- Easy installation (double hanger bar system)
- Rustproof paint treatment on galvanized housing
- Built-in damper to prevent backdraft
- Fits 2 x 6 and 2 x 8 construction
- UL listed for tub/shower enclosure when used with a GFCI branch circuit wire
- Thermal fuse protection
- ASHRAE 62.2, LEED for Homes, ENERGY STAR IAP, CA Title 24, EarthCraft and WA Ventilation Code compliant
- 3 year warranty

WhisperFit-Lite		FV-05VFL2				FV-08VFL2				FV-11VFL2			
		4" Duct		3" Duct		4" Duct		3" Duct		4" Duct		3" Duct	
Characteristics (HVI Certified Data for 0.1" S.P.)	Static pressure in inches w. g.	0.1	0.25	0.1	0.25	0.1	0.25	0.1	0.25	0.1	0.25	0.1	0.25
	Air Volume (CFM)	50	35	50	35	80	63	70	57	110	96	90	78
	Noise (sones)	<0.3	N/A	<0.3	N/A	0.5	N/A	0.6	N/A	1.3	N/A	1.5	N/A
	Power Consumption (Watts)	16.6	16.5	16.6	16.5	29.7	29.1	29.4	28.7	33.6	33.2	33.3	32.8
	Energy Efficiency (CFMs/Watt)	3.0	2.1	3.0	2.1	2.7	2.2	2.4	2.0	3.3	2.9	2.7	2.4
	Speed	703	917	769	989	828	981	937	1067	906	1033	1048	1162
	Current	0.14	0.14	0.14	0.14	0.25	0.24	0.25	0.24	0.28	0.28	0.28	0.27
	Power Rating (V/Hz)	120/60				120/60				120/60			
	ENERGY STAR Qualified	Yes				Yes				Yes <sup>1</sup>			
	Light Specifications	Lamp Watts	2x18				2x18				2x18		
Color Rendering Index		84				84				84			
Color Temp. (Kelvin)		3,500				3,500				3,500			
Lamp Model #		FDS18E35/4*				FDS18E35/4*				FDS18E35/4*			
Rated Average Life (hrs)		10,000				10,000				10,000			
Night-Light	Lamp Watts	4				4				4			
Approved Code/ Standard/ Regulation	UL Tub/Shower Enclosure	Yes				Yes				Yes <sup>1</sup>			
	Washington State VIAQ Code	Yes				Yes				Yes			
	California Title 24 Compliant	Yes				Yes				Yes			
	Mfg in ISO 9001 Certified Facility	Yes				Yes				Yes			

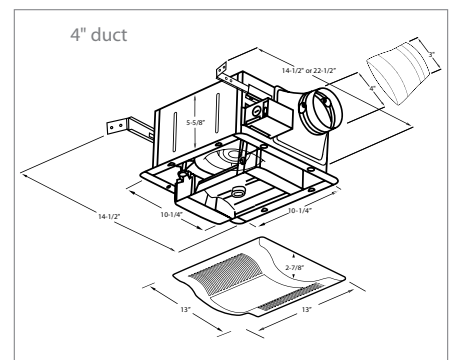
Complete Specifications on pages 48-49.  
Performance Curves on pages 40-47.

N/A=not applicable  
w.g.=water gauge  
S.P.=static pressure

\*Lamp contains mercury. Dispose according to local, state and Federal laws.



INCLUDED: 2 Panasonic 18-Watt CFL/3500 Kelvin/ High CRI/1200 Lumens each/ENERGY STAR® qualified/10,000 hours rated average life/equivalent to 100-Watt incandescent lamp/electronic ballast for flicker-free operation



FV-05VFL2/FV-08VFL2/FV-11VFL2