

FV-05VF2 50 CFM 4" Duct  
FV-08VF2 80 CFM 4" Duct  
FV-11VF2 110 CFM 4" Duct



- Low profile housing design
  - Ideal for remodeling
- Super quiet operation
- ENERGY STAR<sup>®</sup> qualified

- Totally enclosed condenser motor for long life—rated for 30,000 hours continuous run
- 4" duct with 3" duct adapter included
- Easy installation (double hanger bar system)
- Rustproof paint treatment on galvanized housing
- Built-in damper to prevent backdraft
- Fits 2 x 6 and 2 x 8 construction
- UL listed for tub/shower enclosure when used with a GFCI branch circuit wire
- Thermal fuse protection
- ASHRAE 62.2, LEED for Homes, ENERGY STAR IAP, CA Title 24, EarthCraft and WA Ventilation Code compliant
- 3 year warranty
- Optional designer grille and radiation damper available (See pages 36-37 for applicable models)

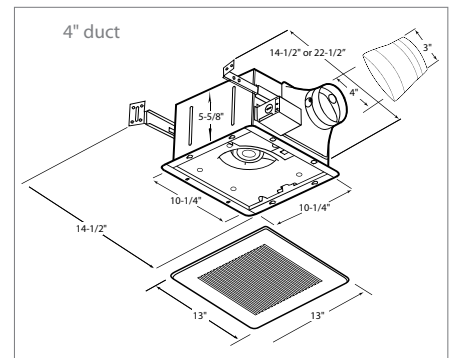
WhisperFit		FV-05VF2		FV-08VF2		FV-11VF2							
		4" Duct	3" Duct	4" Duct	3" Duct	4" Duct	3" Duct						
Characteristics (HVI Certified Data for 0.1" S.P.)	Static pressure in inches w. g.	0.1	0.25	0.1	0.25	0.1	0.25	0.1	0.25	0.1	0.25	0.1	0.25
	Air Volume (CFM)	50	30	50	31	80	60	70	53	110	94	90	78
	Noise (sones)	0.4	N/A	0.5	N/A	0.8	N/A	0.8	N/A	1.5	N/A	1.5	N/A
	Power Consumption (Watts)	15.0	14.7	15.0	14.8	24.5	24.3	24.3	24.0	33.5	33.2	33.8	33.5
	Energy Efficiency (CFMs/Watt)	3.3	2.0	3.3	2.1	3.3	2.5	2.9	2.2	3.3	2.8	2.7	2.3
	Speed	637	932	741	978	757	956	845	1007	830	1000	1029	1128
	Current	0.13	0.12	0.13	0.12	0.20	0.20	0.20	0.20	0.28	0.28	0.28	0.28
	Power Rating (W/Hz)	120/60			120/60			120/60			120/60		
	ENERGY STAR Qualified	Yes			Yes			Yes <sup>1</sup>			Yes <sup>1</sup>		
Approved Code/ Standard/ Regulation	UL Tub/Shower Enclosure	Yes			Yes			Yes			Yes		
	Washington State VIAQ Code	Yes			Yes			Yes			Yes		
	California Title 24 Compliant	Yes			Yes			Yes			Yes		
	Mfg in ISO 9001 Certified Facility	Yes			Yes			Yes			Yes		

Complete Specifications on pages 48-49.  
Performance Curves on pages 40-47.

N/A=not applicable  
w.g.=water gauge  
S.P.=static pressure



INCLUDED:  
4 to 3 inch adaptor



FV-05VF2/FV-08VF2/FV-11VF2