

FV-010NLF1 120 CFM 4" Duct



PARTNER OF THE YEAR

Housing:

- Galvanized steel for long life
- Insulated housing to prevent condensation and noise
- Tapered duct adapter for easy connection

Motor:

- Super quiet/energy efficient
- Totally enclosed condenser motor for long life—rated for 30,000 hours continuous run

Safety:

- Motor equipped with thermal cut-off fuse

Easy Installation:

- 5 positions for installation
- Joist or truss attachment brackets included
- Suspension brackets included

Grille:

- Low profile family design
- Adjustable airflow for multi-inlet balance

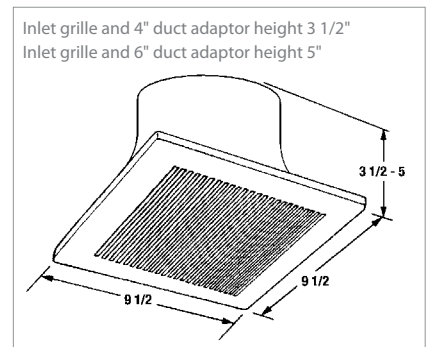
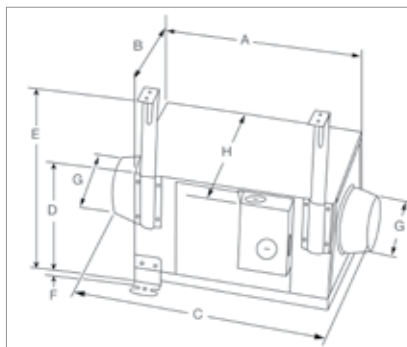
Other Benefits:

- ASHRAE 62.2, LEED for Homes, ENERGY STAR IAP, CA Title 24, EarthCraft and WA Ventilation Code compliant
- 3 year warranty

	WhisperLine	FV-10NLF1			FV-20NLF1			FV-30NLF1			FV-40NLF1		
		0.2	0.3	0.4	0.2	0.3	0.4	0.2	0.3	0.4	0.2	0.3	0.4
Characteristics (HVI Certified Data for 0.2" S.P.)	Static pressure in inches w. g.	0.2	0.3	0.4	0.2	0.3	0.4	0.2	0.3	0.4	0.2	0.3	0.4
	Air Volume (CFM)	120	105	82	240	225	200	340	322	302	440	425	408
	Noise (sones)	1.0			1.4			1.7			2.1		
	Power Consumption (Watts)	36			57			98			132		
	Energy Efficiency (CFMs/Watt)	3.3			4.2			3.5			3.3		
	Speed	1590			1260			1337			1150		
	Current	0.31			0.46			0.86			1.10		
	Power Rating (V/Hz)	120/60			120/60			120/60			120/60		
Installation	ENERGY STAR Qualified	Yes			Yes			Yes			Yes		
	Duct Diameter (inches)	4			6			6			8		
	Grill Size (inches sq.)	9-1/2			9-1/2			9-1/2			9-1/2		
Approved Code/Standard/Regulation	UL Tub/Shower Enclosure	Yes			Yes			Yes			Yes		
	Washington State VIAQ Code	Yes			Yes			Yes			Yes		
	Mfg in ISO 9001 Certified Facility	Yes			Yes			Yes			Yes		

Note: Sones were measured at manufacturer's facility in a sound-proof room at intake side from a distance of 4 ft. CA=not applicable. To ensure quiet operation of ENERGY STAR qualified in-line and remote fans, each fan should be installed using w.g.=water gauge sound attenuation techniques appropriate for the installation. For bathroom and general ventilation applications, static pressure least 8 feet of insulated flexible duct must be installed between the exhaust or supply grille(s) and the fan.

Complete Specifications on pages 48-49.
Performance Curves on pages 40-47.



WhisperLine	Dimensions							
Fan Model	A	B	C	D	E	F	G	H
FV-10NLF1	13-3/8"	9-1/2"	17-5/16"	7-7/8"	12-5/8" - 22-3/4"	5/16"	4"	11"
FV-20NLF1	13-3/8"	9-1/2"	21-5/8"	9-7/16"	12-5/8" - 24-7/16"	5/16"	6"	11"
FV-30NLF1	15-11/32"	10-5/8"	23-5/8"	11"	12-5/8" - 26"	5/16"	6"	12-1/8"
FV-40NLF1	16-1/2"	13-3/8"	22"	11"	12-5/8" - 26"	5/16"	8"	14-7/8"

FV-20NLF1 240 CFM 6" Duct
 FV-30NLF1 340 CFM 6" Duct
 FV-40NLF1 440 CFM 8" Duct



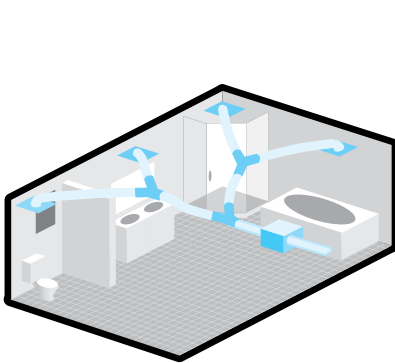
WhisperLine Installation Kits						
Item	Model No.	Description	Inlet Grille	Backdraft Damper	Clamp	Y-Adaptor
Accessory Kit	FV-NLF04G	4" Inlet Grille	1 (4")	-	-	-
	FV-NLF06G	6" Inlet Grille	1 (6")	-	-	-
	PC-NLF04S	4" Single Inlet Kit	1 (4")	1 (4")	6	-
	PC-NLF06S	6" Single Inlet Kit	1 (6")	1 (6")	6	-
	PC-NLF04D	4" Double Inlet Kit	2 (4")	2 (4")	12	1 (4"- 4"x 2)
	PC-NLF06D	6" Double Inlet Kit	2 (6")	2 (6")	12	1 (6"- 6"x 2)
Y-Adaptor	PC-NLF86Y	8"-6" Y-Adaptor	-	-	-	1 (8"- 6"x 2)



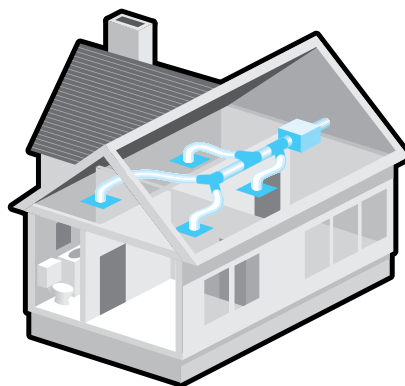
Single Inlet Kit



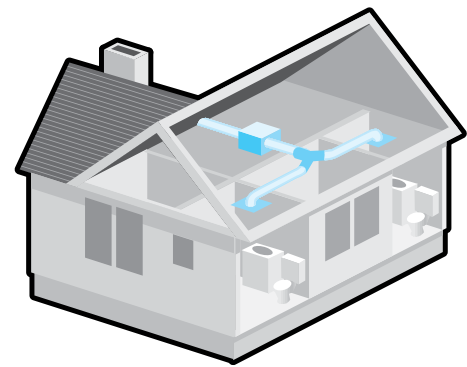
Double Inlet Kit



Multiple task ventilation inlets in a single bathroom
 i.e. shower, whirlpool, toilet and vanity



Continuous (low rate) ventilation with multiple inlets through the home for indoor air quality improvement



Ventilate two bathrooms with one in-line fan