



WhisperWarm™

VENTILATION FAN

FV-11VH2, FV-11VHL2

Welcome to the next generation of WhisperWarm™ ventilation fans. Panasonic has found ways to improve upon this impressive fan/heat configuration. Now they're easier to install, are more lightweight and have a smaller housing. What's more, they're quieter than their predecessors with reduced sound levels. And lastly, we've streamlined them with a more cosmetically pleasing look. We think you'll be pleased with the new WhisperWarm line—
an already great product that just got better.

- Extremely quiet operation
- Quick 1 minute warm-up
- Newly-designed contemporary grille
- Easy to install with 24" hanger bar on center joist



FV-11VH2
Fan/Heat



FV-11VHL2
Fan/Heat/Light/Night Light

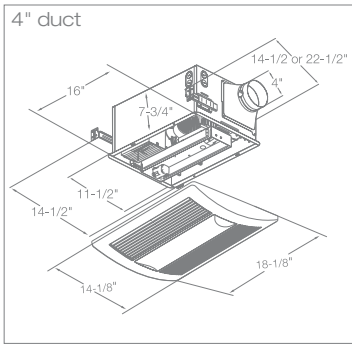
Panasonic ideas for life



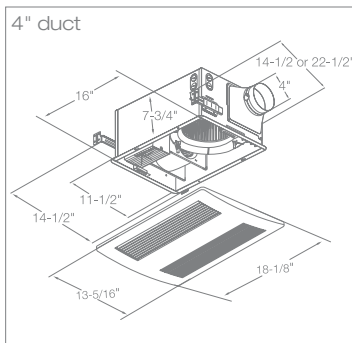
FV-11VH2, FV-11VHL2

We're proud to feature **concentrated heat** —our grilles are now structured in such a way that affords the user a stronger blast of air focused in one area for intensified warmth.

- 3 year warranty
- Rustproof paint treatment on galvanized housing
- Built-in damper to prevent backdraft
- Thermal fuse protection on motor and 3-level safety device for heater



FV-11VHL2



FV-11VH2



| WhisperWarm™ | | FV-11VH2 | | FV-11VHL2 | |
|---|------------------------------------|--------------------|------|-------------------|------|
| Characteristics (HVI Certified Data for 0.1" S.P.) | Static Pressure in inches w.g. | 0.1 | 0.25 | 0.1 | 0.25 |
| | Air Volume (CFM) | 110 | 89 | 110 | 89 |
| | Noise (sones) | 0.6 | N/A | 0.7 | N/A |
| | Power Consumption (watts) | 30.7 | 30.5 | 30.6 | 30.5 |
| | Energy Efficiency (CFM/Watt) | 3.6 | 2.9 | 3.6 | 2.9 |
| | Speed (RPM) | 778 | 935 | 812 | 956 |
| | Current (amps) | 0.25 | 0.25 | 0.25 | 0.25 |
| | Power Rating (V/Hz) | 120/60 | | 120/60 | |
| Specifications | Motor Type | Condenser | | Condenser | |
| | Type of Motor Bearing | Ball | | Ball | |
| | Thermal Fuse Protection | Yes | | Yes | |
| | Blower Wheel Type | Sirocco | | Sirocco | |
| | ENERGY STAR Qualified | N/A | | N/A | |
| Installation | Duct Diameter (Inches) | 4 | | 4 | |
| | Mounting Opening (Inches sq.) | 17-3/8 x 12-5/8 | | 17-3/8 x 12-5/8 | |
| | Grille Size (Inches) | 18-1/8L x 13-5/16W | | 18-1/8L x 14-1/8W | |
| Light Specifications | Lamp Watts | N/A | | 2 x 18W | |
| | Color Rendering Index | N/A | | 84 | |
| | Color Temperature (Kelvin) | N/A | | 3500 | |
| | Rated Life (hours) | N/A | | 10,000 | |
| | Lamp Model # | N/A | | FDS18E35/4* | |
| Night Light Specs | Night Light Watts | N/A | | 4 | |
| Heater | Stainless Steel Sheathed Element | Yes | | Yes | |
| | Directional Louver | N/A | | N/A | |
| | Heating Element (Watts) | 1400 | | 1400 | |
| | Blower Fan (CFM) | 90 | | 90 | |
| | Blower Fan (Watts) | 25 | | 25 | |
| Combined | Amps | 12.2 | | 12.5 | |
| Shipping | Gross Weight (lbs) | 20.1 | | 22.7 | |
| Approved Code/Standard/Regulation | UL tub/Shower Enclosure | N/A | | N/A | |
| | Washington VIAQ Code | Yes | | Yes | |
| | California Title 24 Compliant | Yes | | Yes | |
| | Mfg in ISO 9001 Certified Facility | Yes | | Yes | |

FV-11VHL2 includes:

- Two 18 Watt Panasonic flicker free compact fluorescent lamps. Equivalent to 100 Watt incandescent lighting / Electronic ballast / 3500 Kelvin / 1200 Lumens each / 10,000 hours rated life
- 4-Watt night-light
- California Title 24 Compliant

Minimum 20 Amp dedicated circuit recommended. For optimum performance, install heater no more than 8 feet from floor to ceiling.

*FDS18E35/4 contains mercury. Dispose according to local, state and federal laws.



Panasonic ideas for life

Panasonic Home & Environment Company Unit of Panasonic Corporation of North America

Headquarters

Panasonic Home & Environment Company
One Panasonic Way
Secaucus, NJ 07094

Customer Service

Panasonic Home & Environment Company
5201 Tollview Road
Rolling Meadows, IL 60008

For Order Information:

PHONE: 866-292-7299; FAX: 888-553-0723

For Customer Call Center:

PHONE: 866-292-7292

www.panasonic.com/building



Printed with soy ink on 10% post-consumer recycled paper.

Design and specifications subject to change without notice.

VF080179SSr