

WhisperWelcome™ VENTILATION FAN

FV-05VFM2, FV-08VFM2

- Only ENERGY STAR rated low-profile ceiling mount fan with motion sensor and 3" or 4" duct flexibility
- Built-in SmartAction® motion sensor with 20-minute delay timer
- 4" to 3" adaptor included



FV-08VFM2

Low Profile Housing Design

With a housing depth of only 5-5/8", WhisperWelcome fans provides flexibility for installation in 2" x 6" and 2" x 8" ceiling joists. Dual rated for 4" or 3" duct, they are ideal for renovation since you can use the existing duct.

Quiet Operation at .25" Water Gauge

ASHRAE, ENERGY STAR®, LEED for Homes, and HVI have set the industry standard for performance measurement at .25" w.g. The new WhisperWelcome fans not only provide powerful CFM output at .25" w.g., but our sones have also been certified at .25" w.g. So they are quiet under pressure and after installation.

SmartAction® Motion Sensor

The built-in SmartAction motion sensor automatically activates whenever someone enters the room. After 20 minutes, the built-in delay timer turns the fan off.

Additional Benefits

- Easy installation (double hanger bar system)
- Rust-proof paint treatment on galvanized housing
- ASHRAE 62.2, LEED, and CA Title 24 compliant
- Built-in damper to prevent backdraft
- 3-Year warranty

Panasonic ideas for life



The ultimate in hospitality - Quiet and comfort

WhisperWelcome

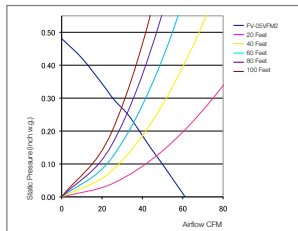
Specifications		FV-05VFM2				FV-08VFM2			
		4" Duct		3" Duct		4" Duct		3" Duct	
Characteristics (HVI tested data for 0.1" S.P.)	Static pressure in inches w. g.	0.1	0.25	0.1	0.25	0.1	0.25	0.1	0.25
	Air Volume (CFM)	50	33	50	34	80	62	80	63
	Noise (sones)	0.4	0.7	0.5	0.8	0.9	1.0	0.9	1.1
	Power Consumption (Watts)	16.3	16.0	16.1	16.0	24.2	23.8	23.9	23.4
	Energy Efficiency (CFMs/Watt)	3.6	2.4	3.3	2.2	3.5	2.7	3.1	2.5
	Speed (RPM)	678	924	740	958	749	945	868	1003
	Current (amps)	0.13		0.13		0.20	0.19	0.20	0.19
	MAX. Current (amps)	0.14		0.14		0.21		0.21	
	Power Rating (W/Hz)	120/60				120/60			
	Specifications	Motor Type	AC				AC		
Type of Motor Bearing		Ball				Ball			
Thermal Fuse Protection		Yes				Yes			
Blower Wheel Type		Sirocco				Sirocco			
ENERGY STAR Qualified		Yes				Yes			
Installation	Duct Diameter (inches)	4		3		4		3	
	Mounting Opening (inches sq.)	10-1/2				10-1/2			
	Grille Size (inches sq.)	13				13			
Advanced Features	SmartAction® Motion Sensor	Yes				Yes			
	On / Off Delay Timer	20 Minutes Only				20 Minutes Only			
Shipping	Gross Weight (lbs.)	11				11			
Approved Code/ Standard/ Regulation	UL Tub/Shower Enclosure	Yes				Yes			
	Washington State VIAQ Code	Yes				Yes			
	Mfg in ISO 9001 Certified Facility	Yes				Yes			
List Price		\$228				\$238			

WhisperWelcome Competitive Cross Reference

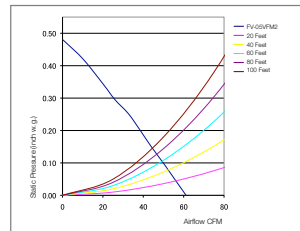
Brand	Model Number	Description	Duct	CFM		Noise (Sones)		Watt	Warranty (Years)	ENERGY STAR
				.1" w.g. .25" w.g.	.1" w.g. .25" w.g.					
Panasonic	FV-05VFM2	Fan	4" 3"	50	33 34	0.4 0.5	0.7 0.8	16.3	3	Y
Panasonic	FV-08VFM2	Fan	4" 3"	80	62 63	0.9	1.0 1.1	24.2	3	Y

No cross for WhisperWelcome with built-in motion sensor and delay timer

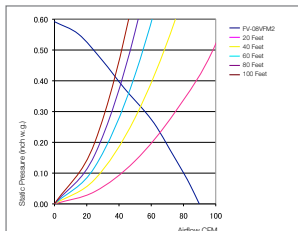
FV-05VFM2 3" Duct



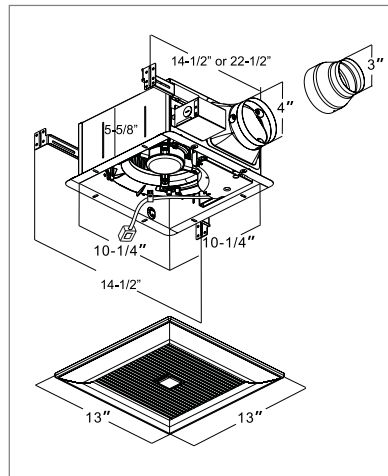
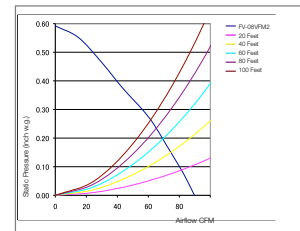
FV-05VFM2 4" Duct



FV-08VFM2 3" Duct



FV-08VFM2 4" Duct



FV-05VFM2/ FV-08VFM2



INCLUDED: 4 to 3 inch adaptor

Panasonic Home & Environment Company Unit of Panasonic Corporation of North America

Headquarters

Panasonic Home & Environment Company
One Panasonic Way
Secaucus, NJ 07094

www.panasonic.com/building

Design and specifications subject to change without notice.

For Order Information

PHONE: 866-292-7299
FAX: 888-553-0723

ventfans@us.panasonic.com



Printed with soy ink on 10% post-consumer recycled paper.