

# Panasonic

## ecovent™

FV-07VBA1 – Fan Housing

FV-07VBB1 – Motor/Grille Assembly



FV-07VBA1 + FV-07VBB1

### Universal-Can (U-Can) Contractor Pack

- Ideal for new residential construction
- 70 CFM, cost effective ENERGY STAR solution – 1.1 sones at 0.1" w.g. (56 CFM/1.4 sones @ 0.25" w.g.)
- Unique Veri-Boost™ integral switch ensures the fan meets designed airflow requirements
- Provides Ventilation Verification Assurance: ≥50 CFM Installed Performance
- Small grille design complements the aesthetics of your bathroom, powder room or laundry room
- Housing and motor/grille packaged separately; reduces risk of parts being lost or damaged onsite

### ADDITIONAL BENEFITS

- 4" duct adaptor
- Built-in metal flange provides blocking for penetrations through drywall as an air barrier, and assists with the decrease in leakage in the building envelope during blower door testing
- UL listed for tub/shower enclosure when used with a GFCI protected circuit
- Can be used to comply with ASHRAE 62.2, LEED and ENERGY STAR for Homes 3.0
- 3 year warranty

EcoVent Ventilation Fans

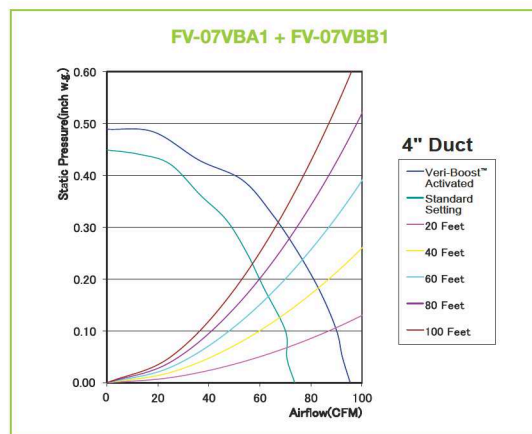
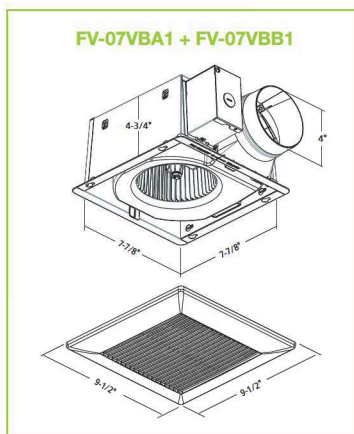


ADJUSTABLE AIRFLOW FOR  
MAXIMUM PERFORMANCE





FV-07VBA1 + FV-07VBB1



EcoVent					
SPECIFICATIONS		FV-07VBA1 + FV-07VBB1			
Characteristics (HVI tested data for 0.1" S.P.)	Fan Setting	Standard		Veri-Boost™ Activated	
	Static Pressure in inches w.g.	0.1	0.25	0.1	0.25
	Air Volume (CFM)	70	56	90	75
	Noise (sones)	1.1	1.4	1.5	2.0
	Power Consumption (watts)	20.0	20.0	24.0	24.0
	Energy Efficiency (CFM/Watt)	3.5	2.8	3.8	3.1
	Speed (RPM)	907	1200	1019	1266
	Current (amps)	0.15	0.14	0.19	0.18
	MAX. Current(amps)	0.25			
	Power Rating (V/Hz)	120/60			
Specifications	Motor Type	AC			
	Type of Motor Bearing	Ball			
	Thermal Fuse Protection	Yes			
	Blower Wheel Type	Sirocco			
	ENERGY STAR Qualified	Yes			
Installation	Duct Diameter (Inches)	4			
	Mounting Opening (Inches sq.)	7-7/8			
	Grille Size (Inches sq.)	9-1/2			
	Housing Depth (Inches sq.)	4-3/4			
Shipping	Gross Weight (lbs)	5.7			
Approved Code/ Standard/Regulation	UL tub/Shower Enclosure	Yes			
	Washington VIAQ Code	Yes			
	California Title 24 Compliant	Yes			
	Mfg in ISO 9001 Certified Facility	Yes			

NOTE: 0.25" w.g. = Installed Performance



**Panasonic Eco Solutions of North America  
Eco Products Division**  
Two Riverfront Plaza  
Newark, NJ 07102  
[us.panasonic.com/ventfans](http://us.panasonic.com/ventfans)

**For Order Information**  
PHONE: 866-292-7299  
FAX: 888-553-0723  
[ventfans@us.panasonic.com](mailto:ventfans@us.panasonic.com)