

# COMMERCIAL REFRIGERATION DEFROST CONTROLS

Designed to meet a wide variety of customer requirements. These electro-mechanical controls are used on many different types of commercial refrigeration equipment, including walk in boxes, reach in boxes, refrigerated cases and condensing units.

## Features / Benefits

- Heavy-duty synchronous motor.
- Adjustable Defrost Initiation Frequency: One to six times per day.
- Adjustable Defrost Cycle Duration: 4 to 110 minutes in two-minute increments.
- Contact Arrangements: Electric heat, hot gas, or off cycle defrost available.
- Heavy-duty steel case with electrical knockouts in the sides, back and bottom.

## Applications

As a defrost control based upon the following functions.

- Time initiation and time termination.
- Time initiation and temperature termination.
- Time initiation and pressure termination.



## Models

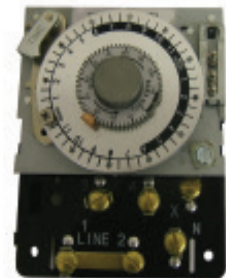
SUPCO P/N	Voltage	Switching		Time Initiated Time Terminated	Time Initiated Temperature or Pressure Terminated
		NO Normally Open	NC Normally Closed		
S804100	120	1 NO / 2 NC		YES	NO
S804120	240	1 NO / 2 NC		YES	NO
S804500	120	1 NO / 1 NC		YES	NO
S804520	240	1 NO / 1 NC		YES	NO
S814100	120	1 NO / 2 NC		NO	YES
S814120	240	1 NO / 2 NC		NO	YES
S814500	120	1 NO / 1 NC		NO	YES
S814520	240	1 NO / 1 NC		NO	YES

## Accessories

X3596 Dial Pins 5 Pins Per Pack



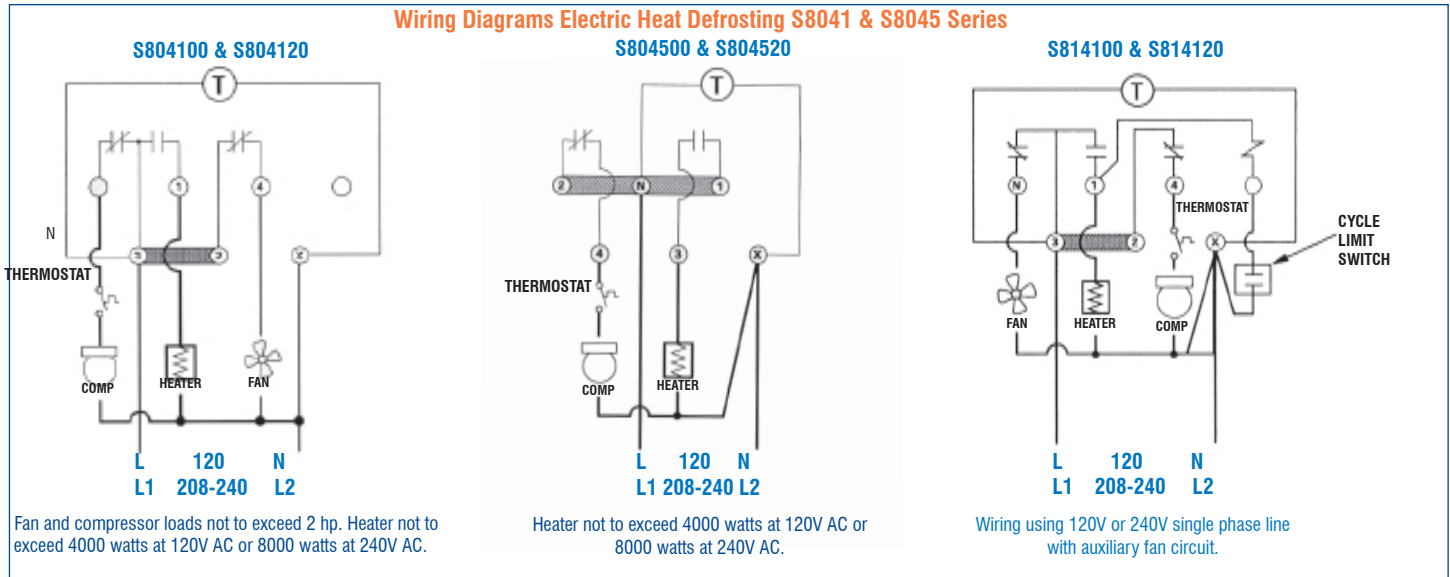
**M814520**  
Exact drop-in replacement  
mechanism for SUPCO  
S814520 and Paragon 8145-20 Avail-  
able in 6-pack display.



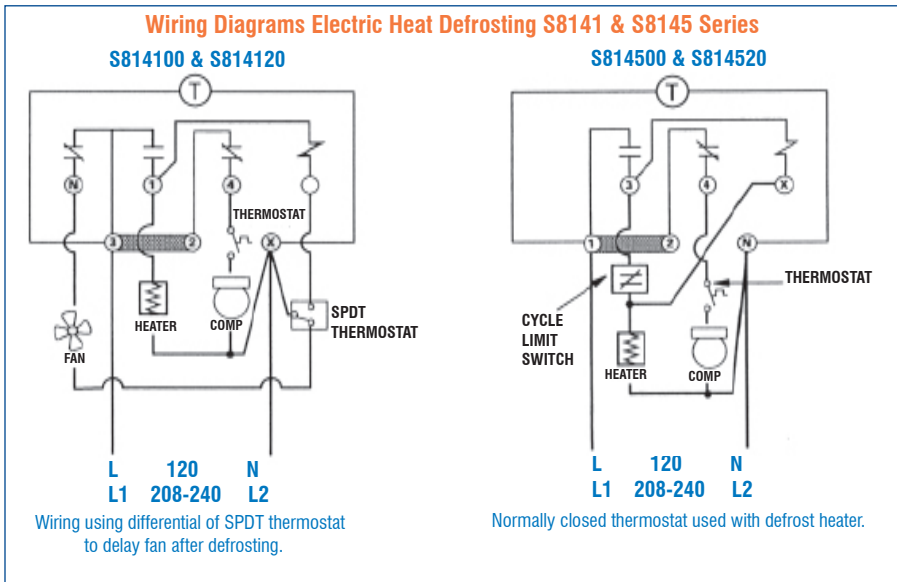
## Specifications

Operating Voltages:	120 or 208/240 VAC, 60 Hz
Current (Amperage):	40 Amp non-inductive @ 120, 208 or 240 VAC
Maximum hp:	2 hp @ 120, 208 or 240 VAC
Pilot Duty:	690 VA @ 120, 208 or 240 VAC
Operating Temperature Range:	-35°F to +175°F (-37°C to +79°C)
Overall Case Dimensions:	7.697" H x 4.4" W x 3.8" D (19.6 cm H x 11.18 cm W x 9.66 cm D)
Shipping Weight:	S8040 series 3.5 lbs (1.6 kgs) & S8141 series 3.75 lbs. (1.7 kgs)

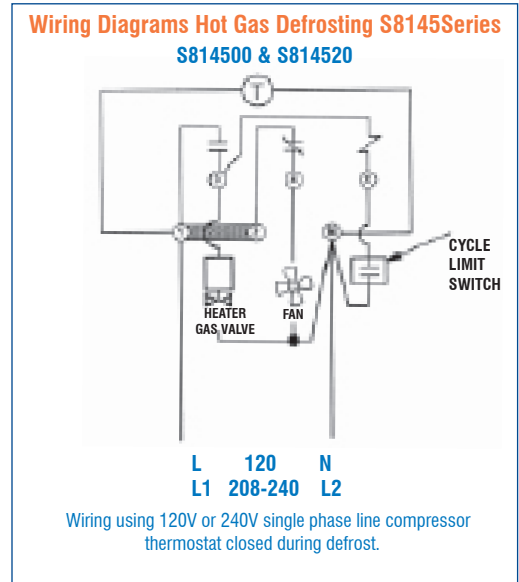
### Wiring Diagrams Electric Heat Defrosting S8041 & S8045 Series



### Wiring Diagrams Electric Heat Defrosting S8141 & S8145 Series



### Wiring Diagrams Hot Gas Defrosting S8145Series



## Cross Reference

SUPCO	Paragon	Precision	SUPCO	Paragon	Precision
S804100	8041-00	6041-00	S814100	8141-00	6141-00
S804120	8041-20	6041-20	S814120	8141-20	6141-20
S804500	8045-00	6045-00	S814500	8145-00	6145-00
S804520	8045-20	6045-20	S814520	8145-20	6145-20

## SEALED UNIT PARTS CO., INC.

PO Box 21, 2230 Landmark Place  
Allenwood, NJ 08720 USA  
www.supco.com